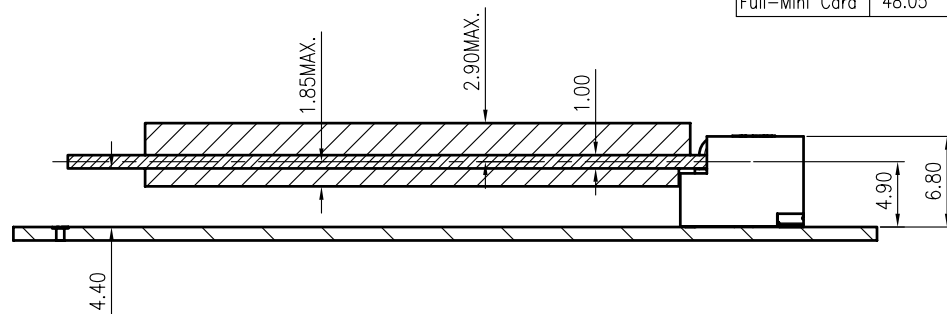
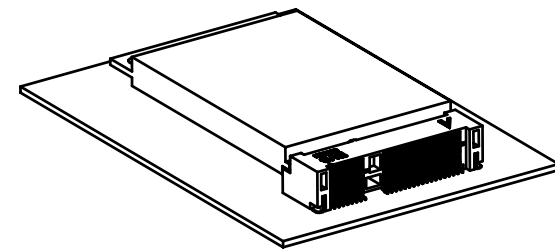


TYPE	DIM C
Half-Mini Card	23.90
Full-Mini Card	48.05

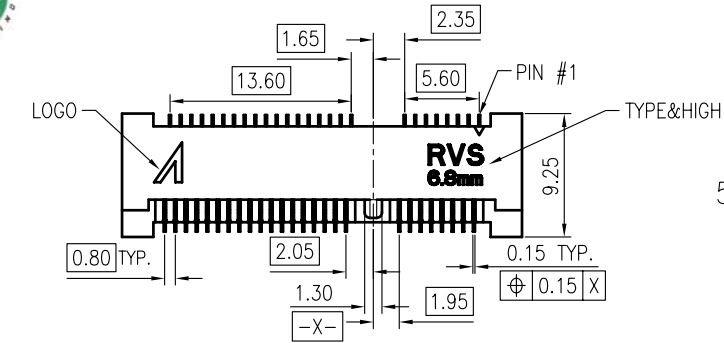


NOTES:

1. MATERIAL:
  - 1.1 HOUSING: THERMOPLASTIC, HIGH TEMP., UL94V-0;
  - 1.2 CONTACT: COPPER ALLOY
  - 1.3 FITTING NAIL: COPPER ALLOY
2. FINISH:
  - 2.1 CONTACT:
    - 50u" MIN. NICKEL UNDERPLATING OVERALL.
    - W: 1u" Gold on contact and solder for selectiveness plating
    - T: CONTACT POINT: GOLD 10u" MIN.
    - SOLDER TAIL: GOLD 1u" MIN.
    - B: CONTACT POINT: GOLD 5u" MIN.
    - SOLDER TAIL: GOLD FLASH
  - 2.2 FITTING NAIL:
    - 50u" MIN. NICKEL UNDERPLATING OVERALL.
    - 100u" MIN. TIN PLATING ON SOLDER TAILS.
3. REFLOW SOLDER CAPABLE TO 260°C PER ACES SPEC.
4. THE MODULE CARD REFERENCE MINIPCI EXPRESS CARD ELECTROMECHANICAL SPECIFICATION
5. DATUM D IS THE TOP SURFACE OF PCB
6. SPEC. PLS. REFER TO PS-51700-xxxx
7. PACKAGE PLS. REFER TO 51712-052XX-TRP



一般公差 <b>TOLERANCES</b> X ±0.5 .XX ±0.15 X ±0.25 .XXX ±0.1 ANGLES ±2°		<b>宏致電子股份有限公司</b> <b>Aces Electronics Co.,Ltd.</b>	
檢驗尺寸標示 <b>SYMBOLS</b> <b>INDICATE CLASSIFICATION DIMENSION</b> <b>MARK IS CRITICAL DIM.</b> <b>MARK IS MAJOR DIM.</b>	品名 (TITLE) MINI PCI EXP. RVS TYPE 0.8mm PITCH H=6.80mm	製圖 (DR) '16/03/24 ZHUWE 審核 (CHKD) BRAVE	圖號 (DWG NO.) 51712-XXXXX-XXX 核准 (APPD) FRANK
表面處理 (FINISH)	比例 (SCALE) 2:1	單位 (UNITS) mm	 張數 (SHEET) 1 OF 3 SIZE A4 REV C



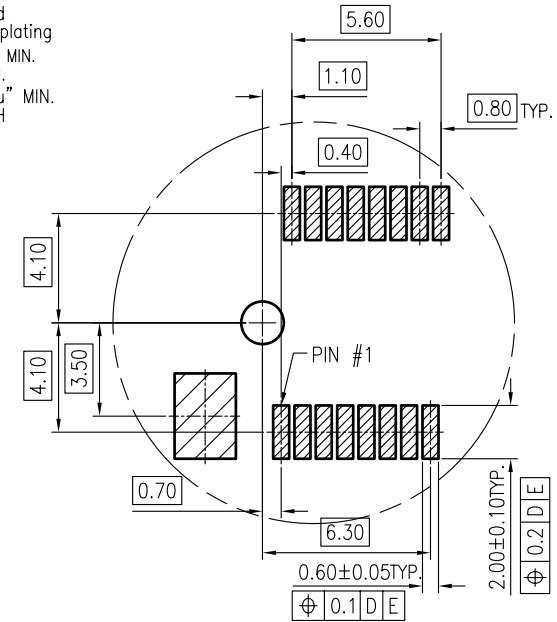
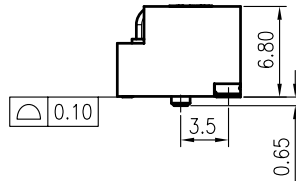
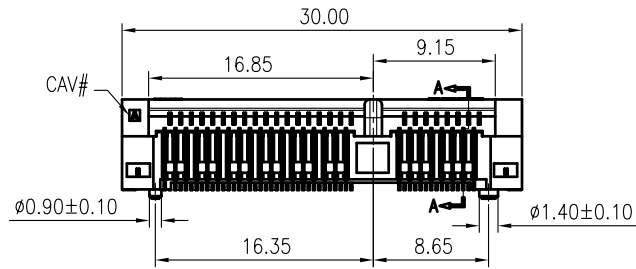
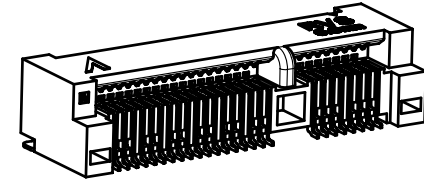
PART NUMBER  
51712 - XXX X X - XXX

POS. 052. 52 PIN

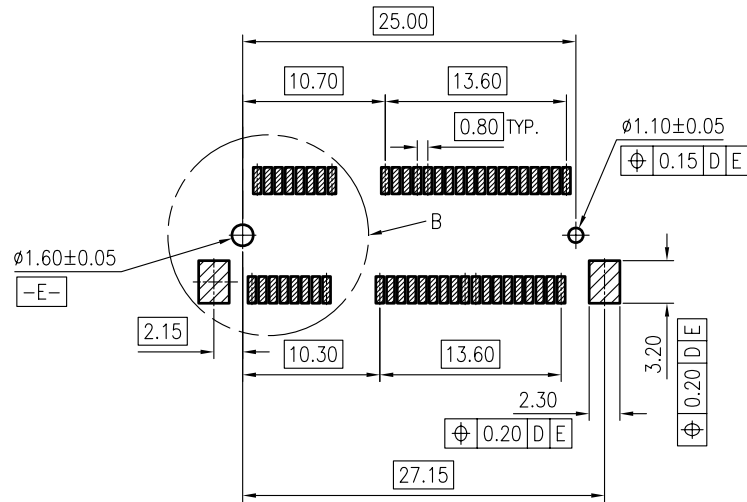
PACKAGE  
1. TUBE  
0. TAPE & REEL

PLATING  
W: 1u" Gold on contact and solder for selectiveness plating  
T: CONTACT POINT: GOLD 10u" MIN.  
SOLDER TAIL: GOLD 1u" MIN.  
B: CONTACT POINT: GOLD 5u" MIN.  
SOLDER TAIL: GOLD FLASH

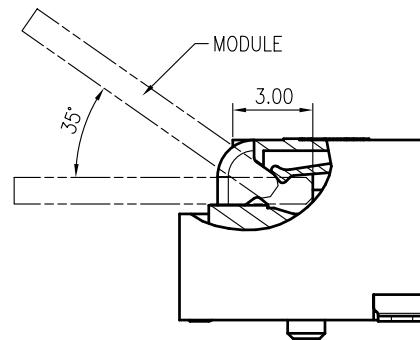
XXX	COLOR	Halogen Free	LOGO
001	BLACK	HF	With ACES'S Logo
002	BLACK	HF	Without Logo



DETAIL B  
SCALE 4:1

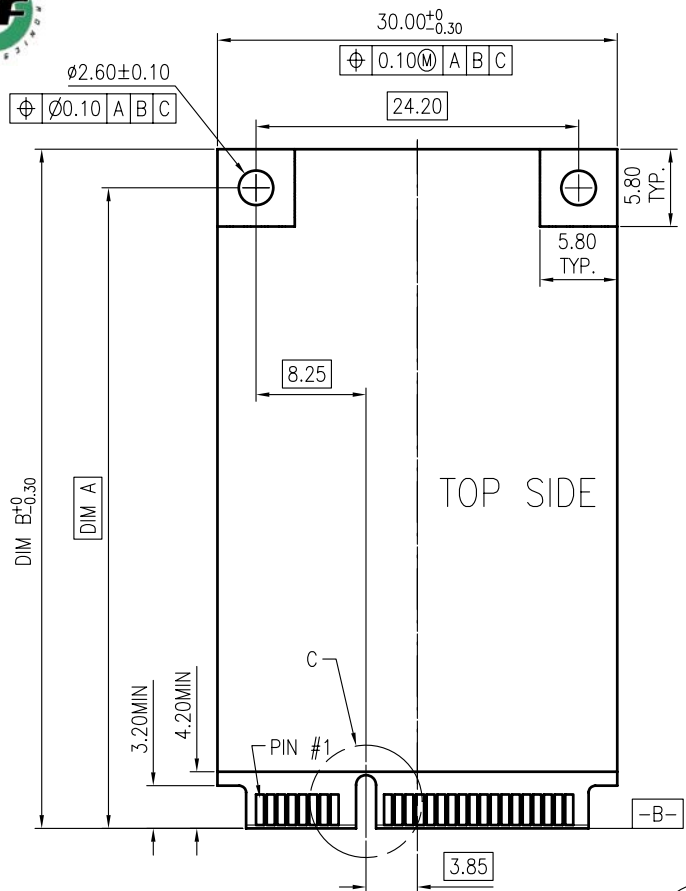


CONNECTOR LAYOUT

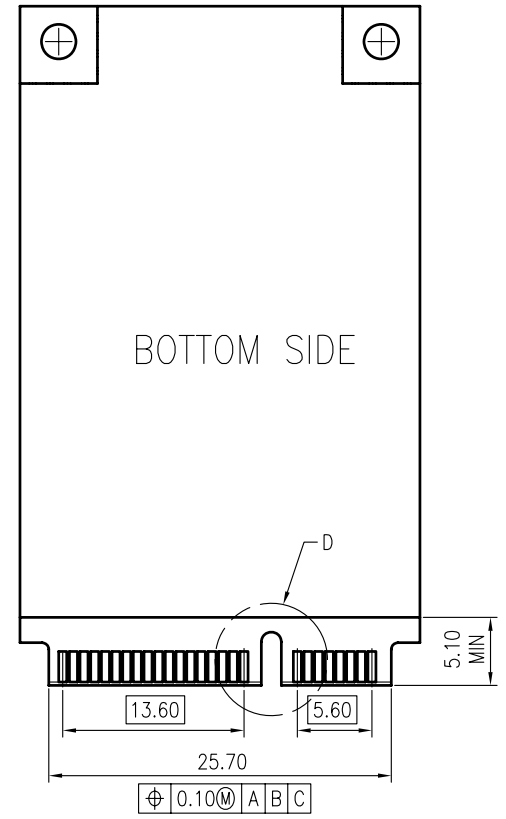
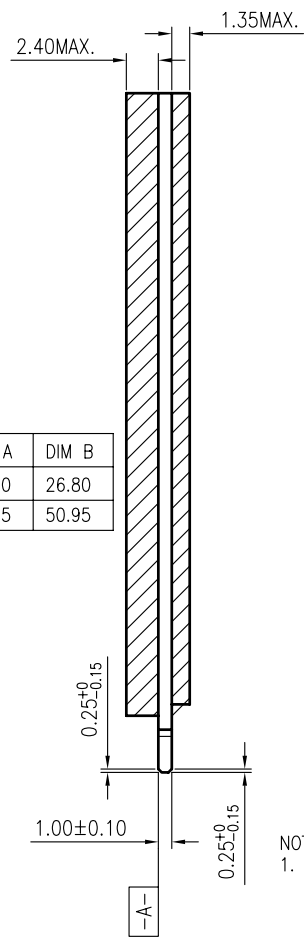


SECTION A-A  
SCALE 4:1

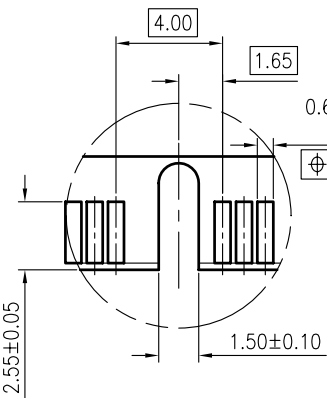
一般公差 TOLERANCES		宏致電子股份有限公司 Aces Electronics Co.,Ltd.	
X ±0.5	XX ±0.15	品名 (TITLE)	製圖 (DR)
X ±0.25	XXX ±0.1	MINI PCI EXP. RVS TYPE	'16/03/24 ZHUWE
ANGLES ±2°		0.8mm PITCH H=6.80mm	審核 (CHKD)
檢驗尺寸標示		圖號 (DWG NO.)	FRANK
SYMBOLS ⊕ ⊗ INDICATE CLASSIFICATION DIMENSION		51712-XXXXX-XXX	核准 (APPD)
⊕ MARK IS CRITICAL DIM. ⊗ MARK IS MAJOR DIM.		比例 (SCALE)	張數 (SHEET)
表面處理 (FINISH)		2:1	2 OF 3
		單位 (UNITS)	SIZE
		mm	A4
			REV
			C



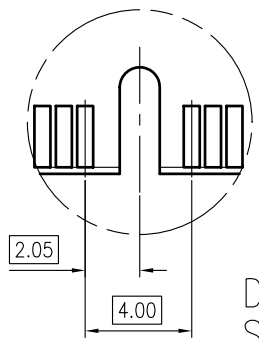
TYPE	DIM A	DIM B
Half-Mini Card	23.90	26.80
Full-Mini Card	48.05	50.95



NOTES:  
 1. PIN NUMBERING REFERENCE:  
 ODD PINS: TOP SIDE  
 EVEN PINS: BOTTOM SIDE



DETAIL C  
SCALE 4:1



DETAIL D  
SCALE 4:1

一般公差 <b>TOLERANCES</b> X ±0.5 XX ±0.15 X ±0.25 .XXX ±0.1 ANGLES ±2°		<b>宏致電子股份有限公司</b> <b>Aces Electronics Co.,Ltd.</b>	
檢驗尺寸標示 <b>SYMBOLS</b> ⊕ ⊗ INDICATE CLASSIFICATION DIMENSION ⊕ MARK IS CRITICAL DIM. ⊗ MARK IS MAJOR DIM.	品名 (TITLE) MINI PCI EXP. RVS TYPE 0.8mm PITCH H=6.80mm	製圖 (DR) '16/03/24 ZHUWE 審核 (CHKD) BRAVE	5
	圖號 (DWG NO.) 51712-XXXXX-XXX	核准 (APPD) FRANK	
表面處理 (FINISH)	比例 (SCALE) 2:1	單位 (UNITS) mm	張數 (SHEET) 3 OF 3 SIZE A4 REV C